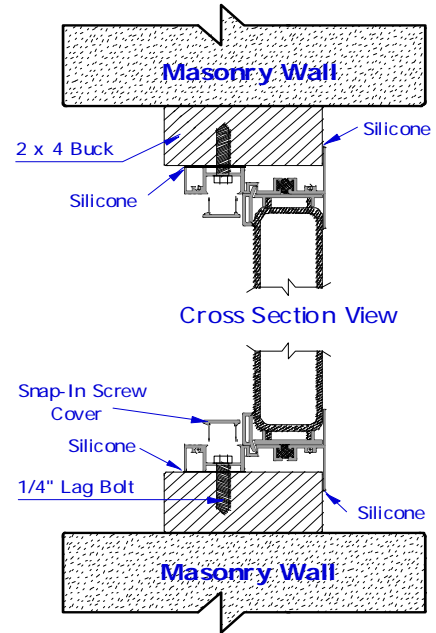
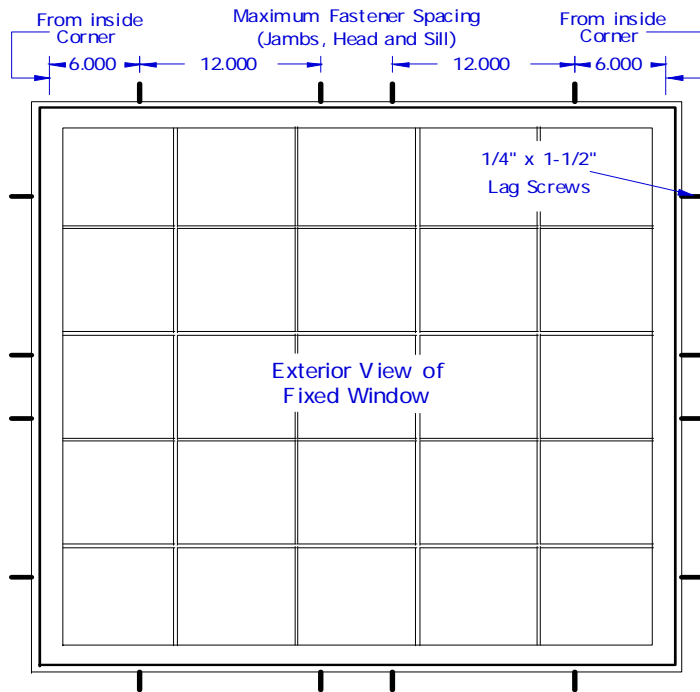




Installation Instructions For New Construction Fixed Windows With Masonry Flange

Includes all of the following series:

FL300 / VF1500



LEAVE THE BUBBLE WRAP ON! Before installing your window, the bubble wrap may be peeled back for inspection, but please re-stick the wrap to protect the blocks from scratches and other damage until construction is complete.

2 x 4 Buck When using a 2 x 4 buck, the fasteners must be 1/4" lag screws of sufficient length to allow a minimum of 1-1/4" penetration into the buck. The buck must be secured in a fashion to transfer all forces to the masonry wall.

1 x 4 Buck When using a 1 x 4 buck or poured sill, the fasteners should be replaced with Tapcons of sufficient length to pass through the window frame, the buck and penetrate the masonry wall no less than 1-1/2".

Note: We recommend that 1/4" - 5/16" diameter holes for the fasteners be drilled prior to installation.

Step 1 Measure to make sure the opening is 3/8" - 1/2" larger than the window both Vertically and Horizontally.

Step 2 Place shims in the sill of the opening to center the window in the opening vertically.

Step 3 Apply a generous bead of silicone to the backside of the face flange. For reference, the fastener channel is on the inside.

Step 4 Insert the window into the opening from outside the house. Immediately press the window tightly against the buck to flatten the silicone on the back of the flange.

Step 5 Using a level, check the window for plumb and adjust the shims at the sill accordingly.

Step 6 Install one lag screw or Tapcon near the center of each jamb. Before tightening the screw, a shim should be placed between the frame and buck, at the location of the screw to prevent bowing of the frame and to allow the fastener to be fully tightened. Use extra caution not to overtighten any of the fasteners.

Step 7 Repeat step 6 for the remaining fasteners using shims at all fasteners.

Fastener quantities needed in each side of frame to achieve 8" spacing

Length of Frame Member	10"	18"	26"	34"	42"	50"	58"	66"	74"	82"	90"	98"
Number of Fasteners	1	2	3	3	4	5	5	6	7	7	8	9

Step 8 Remove excess silicone from the exterior and use caulk or silicone to seal the gap between the frame and buck on the inside.

Step 9 Install the Screw Cover in the tracks by placing it in the track and tapping lightly with a soft plastic hammer.

(If so desired, a small amount of silicone can be applied to the back of the cover to reduce the chance of water pooling in the track)

Step 10 Once all construction is complete, remove the bubble wrap from the inside and outside of the window. If necessary, clean the blocks with a mild detergent and warm water using a soft cloth.

Failure to follow these procedures will void any and all warranties.