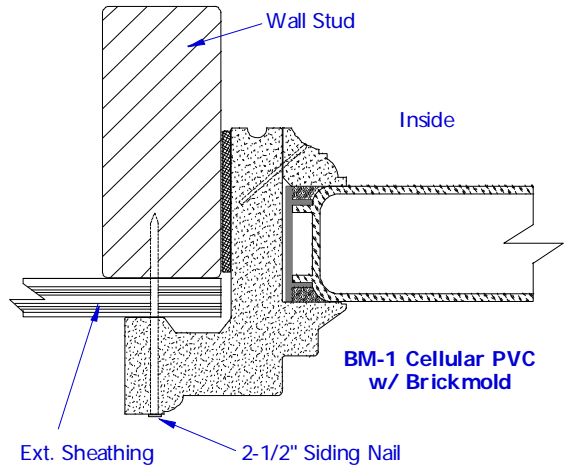
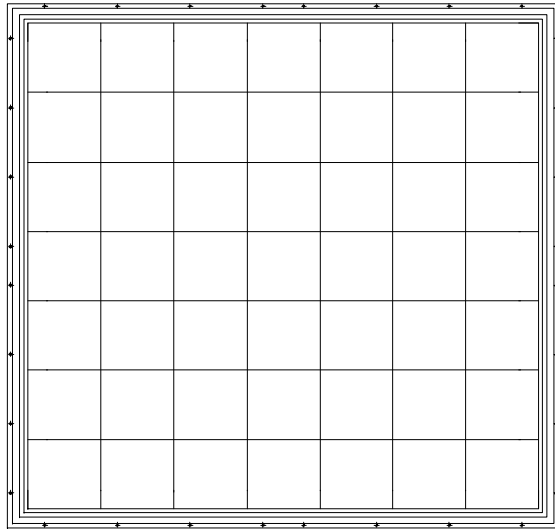
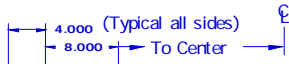




Installation Instructions
New Construction Cellular PVC with Brickmold

Includes all of the following series:

BM - 1



Note: We strongly recommend the use of flashing and/or flashing tapes and sill pans as stated in ASTM E 2112-01. However, due to variation in codes and building types, it is left up to the end user to determine the proper installation of these items.

LEAVE THE BUBBLE WRAP ON! Before installing your window, the bubble wrap may be peeled back for inspection, but please re-stick the wrap to protect the blocks from scratches and other damage until construction is complete.

- Step 1 Measure to be sure the opening is 3/8" to 1/2" larger than the window size both vertically and horizontally.
- Step 2 Apply a generous bead of silicone to the backside of the brickmold. Use enough silicone to sufficiently fill all voids between the brickmold and the wall sheathing.
- Step 3 Insert the window into the opening from the outside. The window is labeled "inside" and "outside", but if these labels have been removed, the glazing bead should always be to the inside of the building.
- Step 4 Install shims under the sill, adjusting them until the unit is plumb in the opening. Shims should be installed under the sill every 2 feet. The window should be basically centered in the opening with no more than 1/4" gap between the window and wall framing.
- Step 5 Install a 2-1/2" siding nail 4" from the corner of the brickmold at each end of the head, sill and both jambs.
- Step 6 Install the remaining fasteners in 8" increments from the corner nails to the center of each frame member. Use care not to hit the brickmold while driving the nails, as it will dent.

Fastener quantities needed in each side of frame to achieve 8" spacing

Length of Frame Member	10"	18"	26"	34"	42"	50"	58"	66"	74"	82"	90"	98"
Number of Fasteners	2	3	4	5	6	7	8	9	10	11	12	13

- Step 7 Remove excess silicone "squeeze out" from around the brickmold and inspect for holes or voids. Use silicone to fill any voids.
- Step 8 If desired, a foam insulation can be applied to the interior gap between the window and wall framing.
If applied, this must be the NON EXPANDING TYPE FOAM.
- Step 9 Since these windows are typically used in rooms with high moisture, ie; bathrooms, it is recommended that the interior gap between the window and wall framing also be sealed with silicone and tooled so as not to interfere with the installation of wallboard, tile or trim.
- Step 10 On the outside, the nail holes should be filled with putty or caulk.
- Step 11 If the window is to be painted, it should be lightly sanded to remove the gloss. Then prime and paint like any other exterior wood products.
Note: When painting the window frame, avoid getting paint on the acrylic blocks. If paint does get on the blocks, remove it immediately! MV&P Naptha can be used on the blocks if necessary to remove paint. DO NOT USE SOLVENTS!
- Step 11 Once all construction is complete, remove the bubble wrap from the inside and outside of the window. If necessary, clean the blocks with a mild detergent and warm water using a soft cloth.

Failure to follow these procedures will void any and all warranties.